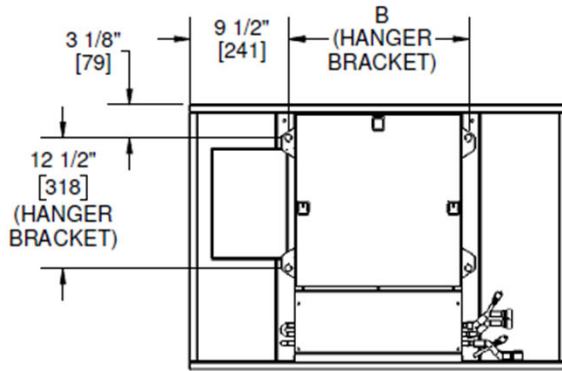
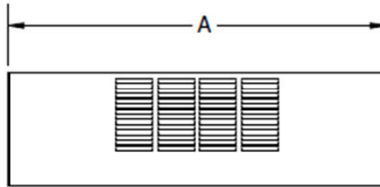
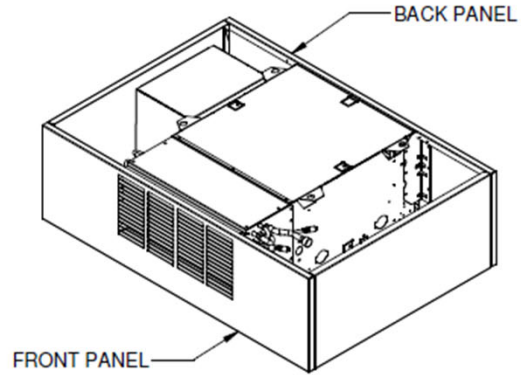


RBHC Series A

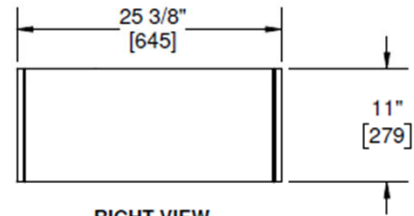
Horizontal Low Profile Exposed (Rear Return)



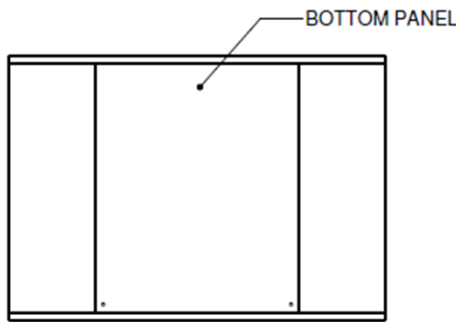
TOP VIEW



FRONT VIEW



RIGHT VIEW



BOTTOM VIEW

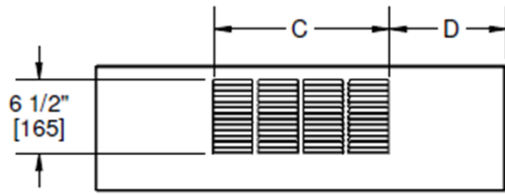
DIMENSIONS		
UNIT SIZE	A	B
02	36 1/4" [921]	17 1/4" [438]
03	39 1/2" [1003]	20 1/2" [521]
04	44 1/2" [1130]	25 1/2" [648]
06	51 1/4" [1302]	32 1/4" [819]
08	58 1/4" [1480]	39 1/4" [997]
09	62 1/2" [1588]	43 1/2" [1105]
10	72 1/4" [1835]	53 1/4" [1353]
12	80 1/4" [2038]	61 1/4" [1556]

NOTES:

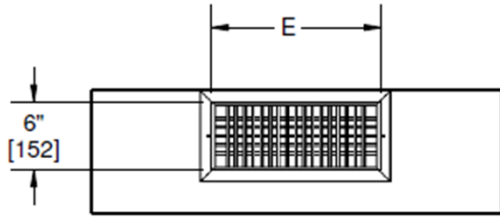
1. All dimensions are inches [millimeters]. All dimensions +/-1/4"[6mm]. Metric values are soft conversions.
2. Left hand unit shown, right hand unit opposite.
3. Provide sufficient clearance to access electrical controls and comply with applicable codes and ordinances.
4. Drain piping should be routed through casing opening indicated to provide proper slope.
5. Bottom panel removable for access to filter and fan assembly.
6. Corner panels are removable to access electrical enclosure, coil and valve pack.
7. Internal insulation of field piping may be required.
8. Field piping casing penetrations must be cut in the field to match individual job requirements.
9. All dimensions also apply to units with Electric Heat Only.

RBHC Series A

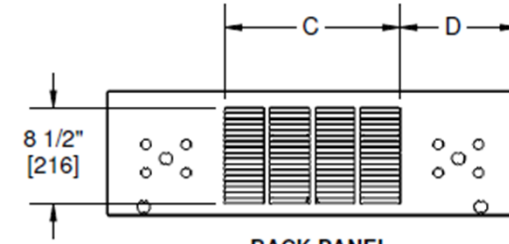
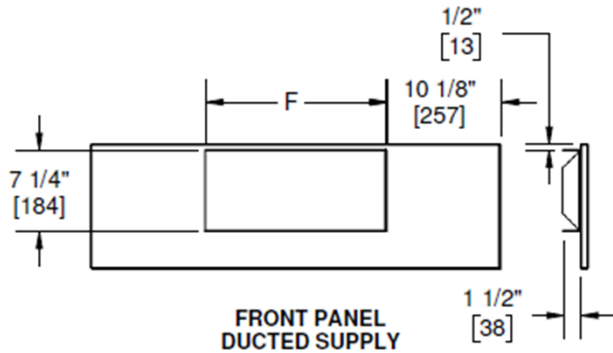
Horizontal Low Profile Exposed (Rear Return)



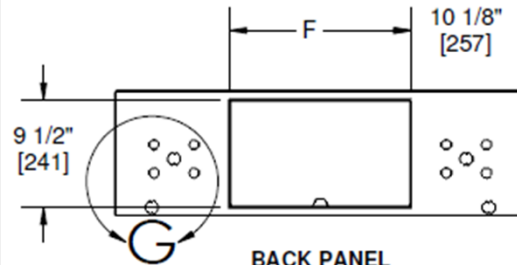
**FRONT PANEL
LOUVERED SUPPLY**



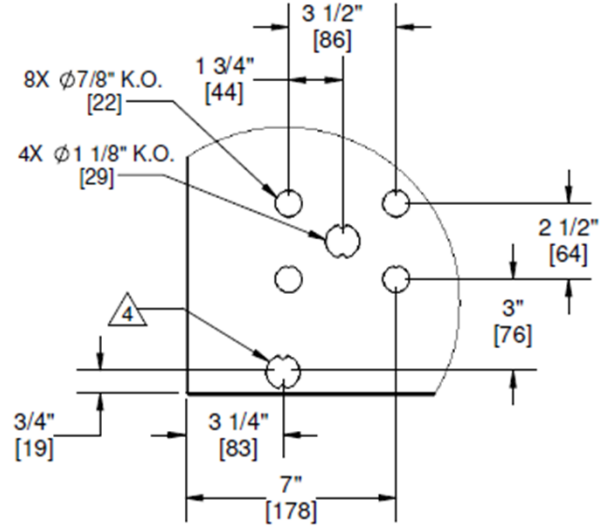
**FRONT PANEL
DUCTED SUPPLY**



**BACK PANEL
LOUVERED RETURN**



**BACK PANEL
DUCTED RETURN**



DETAIL G

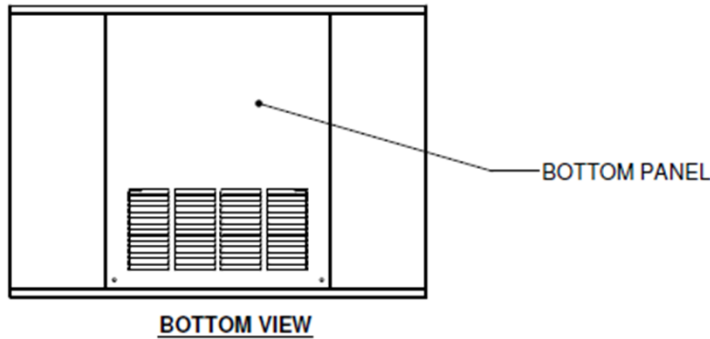
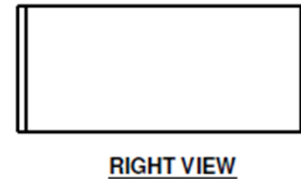
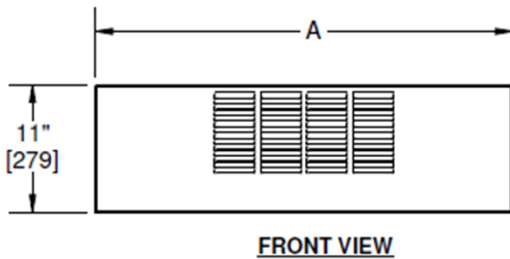
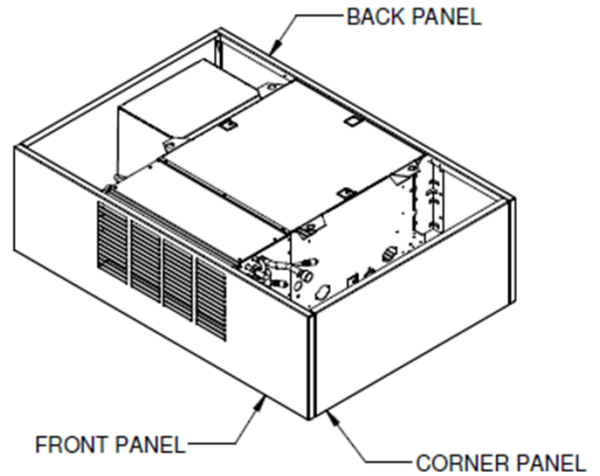
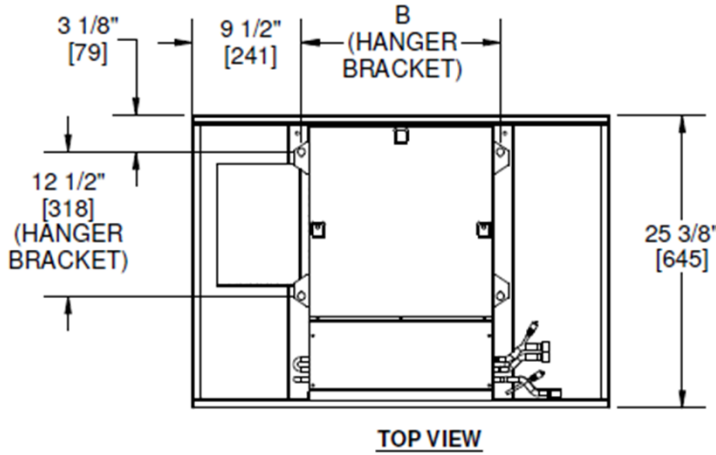
UNIT SIZE	C	D	E	F
02	15 1/2" [394]	10 3/8" [264]	15" [381]	16" [406]
03	15 1/2" [394]	12" [305]	18" [457]	19 1/4" [489]
04	23 1/2" [597]	10 1/2" [267]	23" [584]	24 1/4" [616]
06	27 1/2" [699]	11 7/8" [302]	30" [762]	31" [787]
08	35 1/2" [902]	11 3/8" [289]	37" [940]	38" [965]
09	39 1/2" [1003]	11 1/2" [292]	41" [1041]	42 1/4" [1073]
10	51 1/2" [1308]	10 3/8" [264]	23" [584]	52" [1321]
12	59 1/2" [1511]	10 3/8" [264]	27" [686]	60" [1524]

NOTES:

1. All dimensions are inches [millimeters]. All dimensions +/-1/4"[6mm]. Metric values are soft conversions.
2. Left hand unit shown, right hand unit opposite.
3. Provide sufficient clearance to access electrical controls and comply with applicable codes and ordinances.
4. Drain piping should be routed through casing opening indicated to provide proper slope.
5. Bottom panel removable for access to filter and fan assembly.
6. Corner panels are removable to access electrical enclosure, coil and valve pack.
7. Internal insulation of field piping may be required.
8. Field piping casing penetrations must be cut in the field to match individual job requirements.
9. All dimensions also apply to units with Electric Heat Only.

RBHC Series A

Horizontal Low Profile Exposed (Bottom Return)



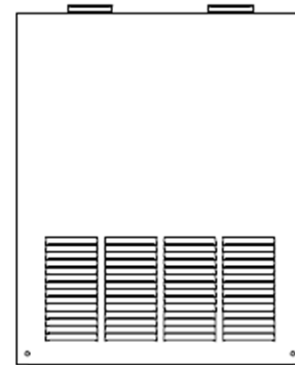
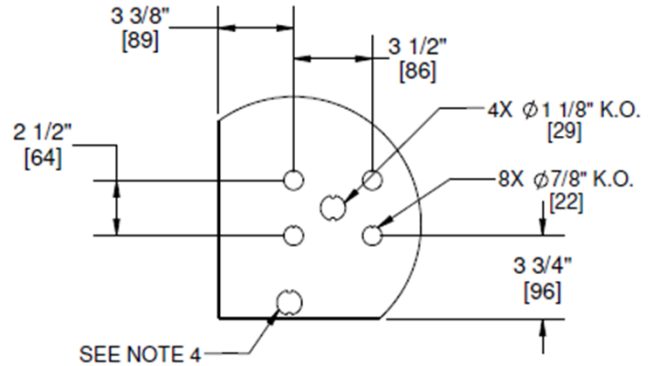
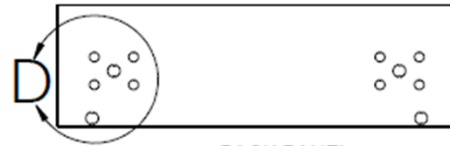
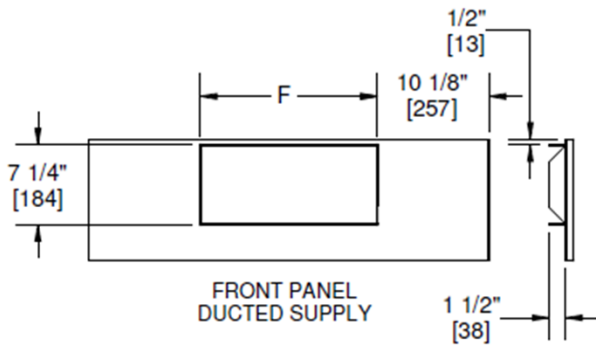
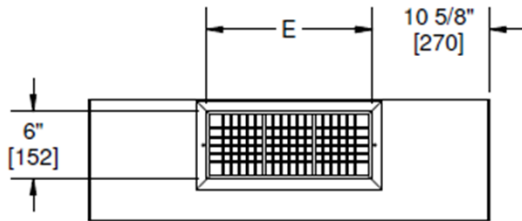
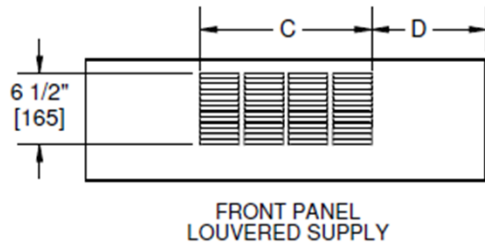
DIMENSIONS		
UNIT SIZE	A	B
02	36 1/4" [921]	17 1/4" [438]
03	39 1/2" [1003]	20 1/2" [521]
04	44 1/2" [1130]	25 1/2" [648]
06	51 1/4" [1302]	32 1/4" [819]
08	58 1/4" [1480]	39 1/4" [997]
09	62 1/2" [1588]	43 1/2" [1105]
10	72 1/4" [1835]	53 1/4" [1353]
12	80 1/4" [2038]	61 1/4" [1556]

NOTES:

1. All dimensions are inches [millimeters]. All dimensions +/-1/4"[6mm]. Metric values are soft conversions.
2. Left hand unit shown, right hand unit opposite.
3. Provide sufficient clearance to access electrical controls and comply with applicable codes and ordinances.
4. Drain piping should be routed through casing opening indicated to provide proper slope.
5. Bottom panel removable for access to filter and fan assembly.
6. Corner panels are removable to access electrical enclosure, coil and valve pack.
7. Internal insulation of field piping may be required.
8. Field piping casing penetrations must be cut in the field to match individual job requirements.
9. All dimensions also apply to units with Electric Heat Only.

RBHC Series A

Horizontal Low Profile Exposed (Bottom Return)



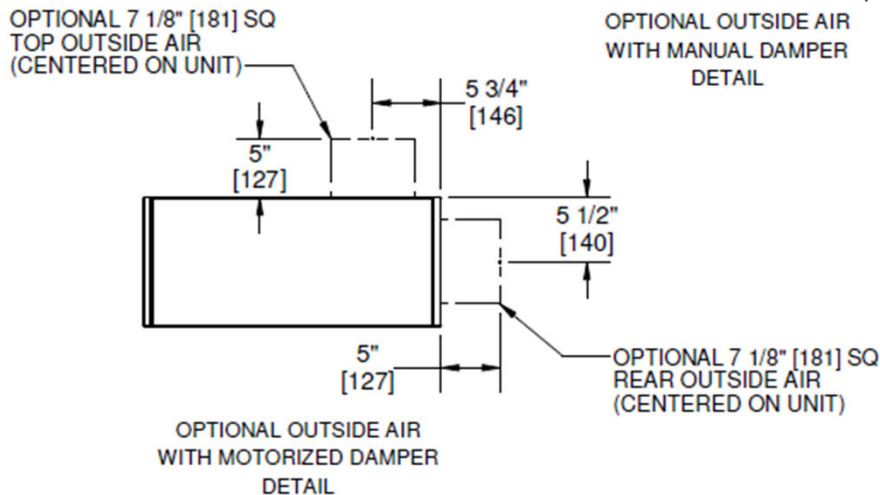
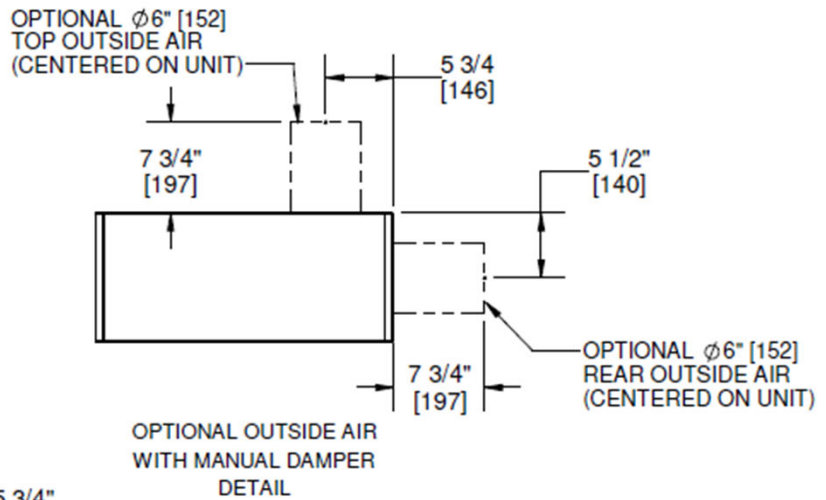
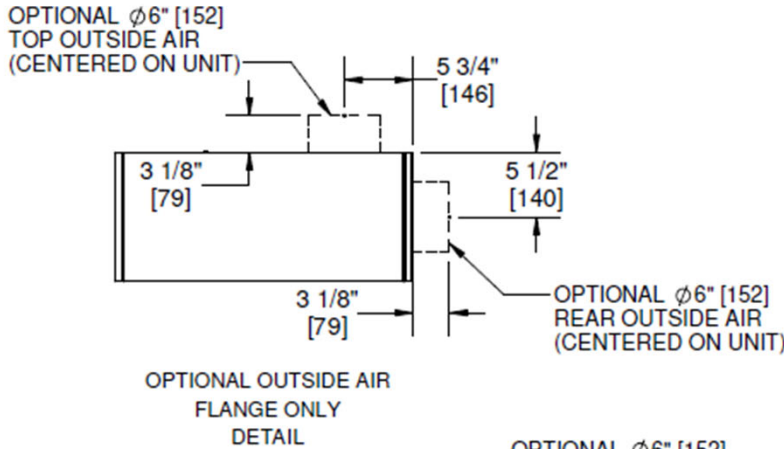
DIMENSIONS				
UNIT SIZE	C	D	E	F
02	15 1/2" [394]	10 3/8" [264]	15" [381]	16" [406]
03	15 1/2" [394]	12" [305]	18" [457]	19 1/4" [489]
04	23 1/2" [597]	10 1/2" [267]	23" [584]	24 1/4" [616]
06	27 1/2" [699]	11 7/8" [302]	30" [762]	31" [787]
08	35 1/2" [902]	11 3/8" [289]	37" [940]	38" [965]
09	39 1/2" [1003]	11 1/2" [292]	41" [1041]	42 1/4" [1073]
10	51 1/2" [1308]	10 3/8" [264]	23" [584]	52" [1321]
12	59 1/2" [1511]	10 3/8" [264]	27" [686]	60" [1524]

NOTES:

1. All dimensions are inches [millimeters]. All dimensions 1/4"[6mm]. Metric values are soft conversions.
2. Left hand unit shown, right hand unit opposite.
3. Provide sufficient clearance to access electrical controls and comply with applicable codes and ordinances.
4. Drain piping should be routed through casing opening indicated to provide proper slope.
5. Bottom panel removable for access to filter and fan assembly.
6. Corner panels are removable to access electrical enclosure, coil and valve pack.
7. Internal insulation of field piping may be required.
8. Field piping casing penetrations must be cut in the field to match individual job requirements.
9. All dimensions also apply to units with Electric Heat Only.

RBHC Series A

Horizontal Low Profile Exposed (OAI- Outside Air Intake – Bottom Return)

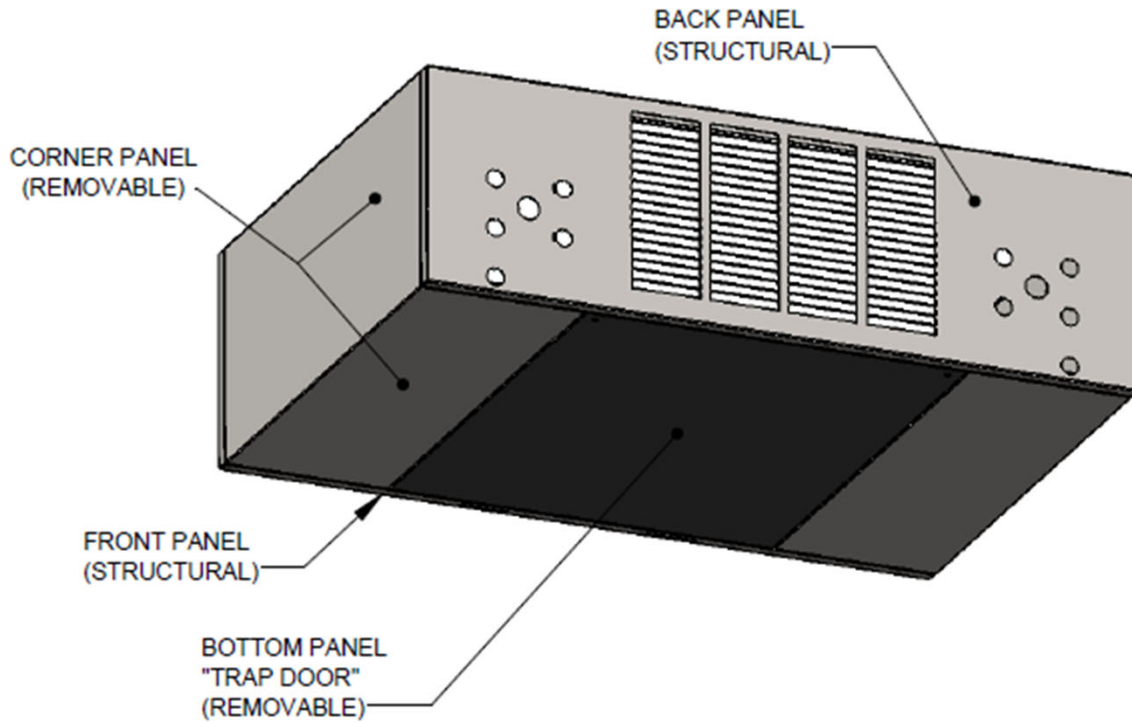


NOTES:

1. All dimensions are inches [millimeters]. All dimensions +/- 1/4"[6mm]. Metric values are soft conversions.
2. Left hand unit shown, right hand unit opposite.
3. Provide sufficient clearance to access electrical controls and comply with applicable codes and ordinances.
4. Drain piping should be routed through casing opening indicated to provide proper slope.
5. Bottom panel removable for access to filter and fan assembly.
6. Corner panels are removable to access electrical enclosure, coil and valve pack.
7. Internal insulation of field piping may be required.
8. Field piping casing penetrations must be cut in the field to match individual job requirements.
9. All dimensions also apply to units with Electric Heat Only.

RBHC Series A

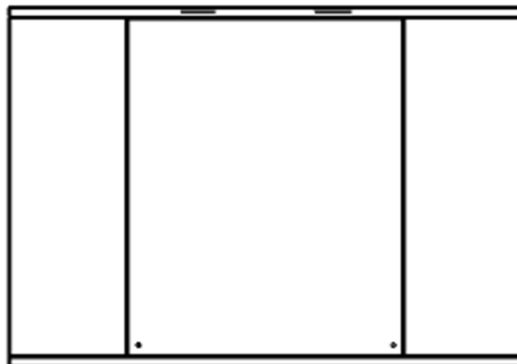
Horizontal Low Profile Exposed (Service Envelope)



FRONT VIEW
TRAP DOOR OPENED 1" [25]



RIGHT VIEW
TRAP DOOR OPENED 1" [25]

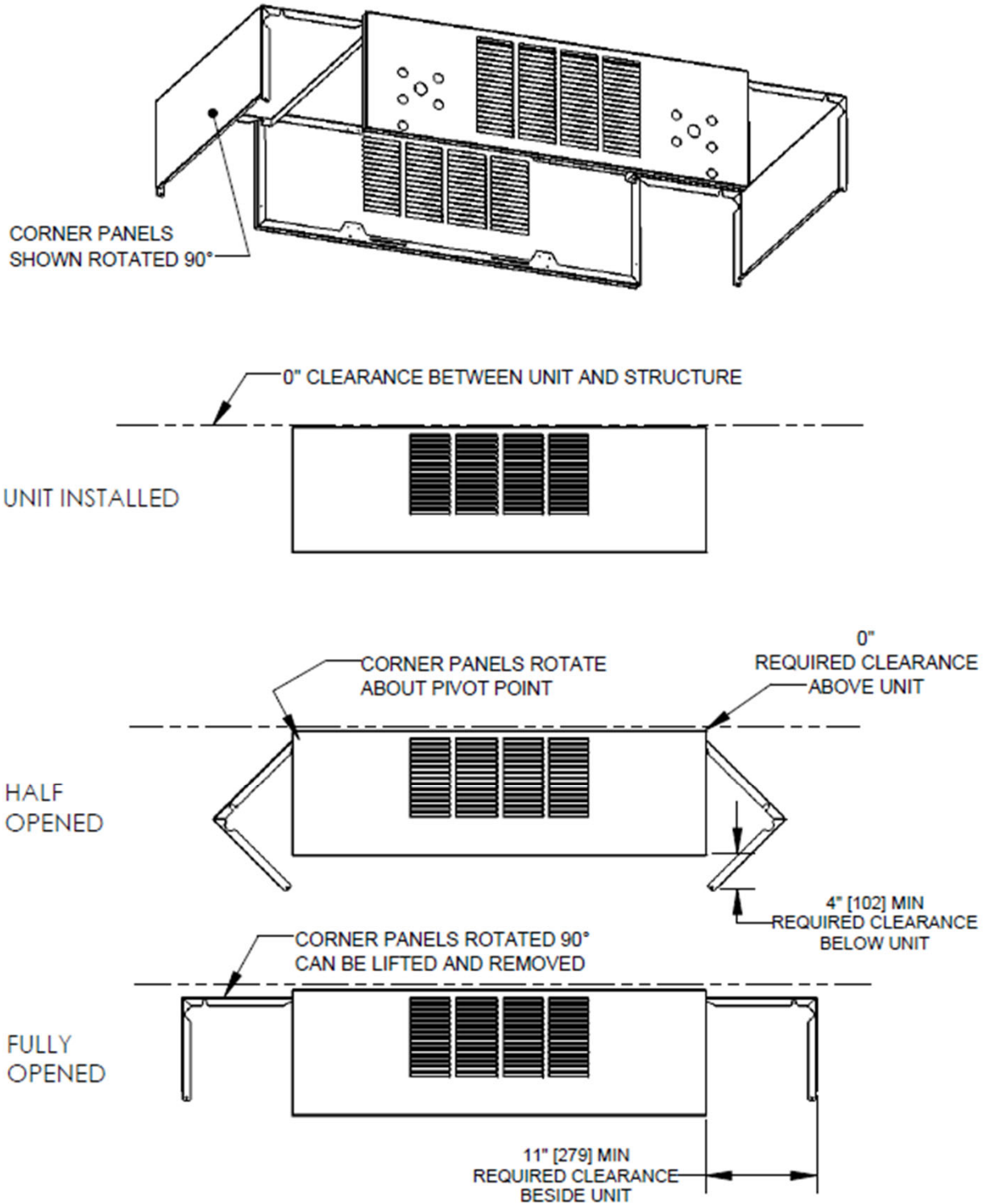


BOTTOM VIEW
TRAP DOOR OPENED 1" [25]

RBHC Series A

Horizontal Low Profile Exposed (Service Envelope)

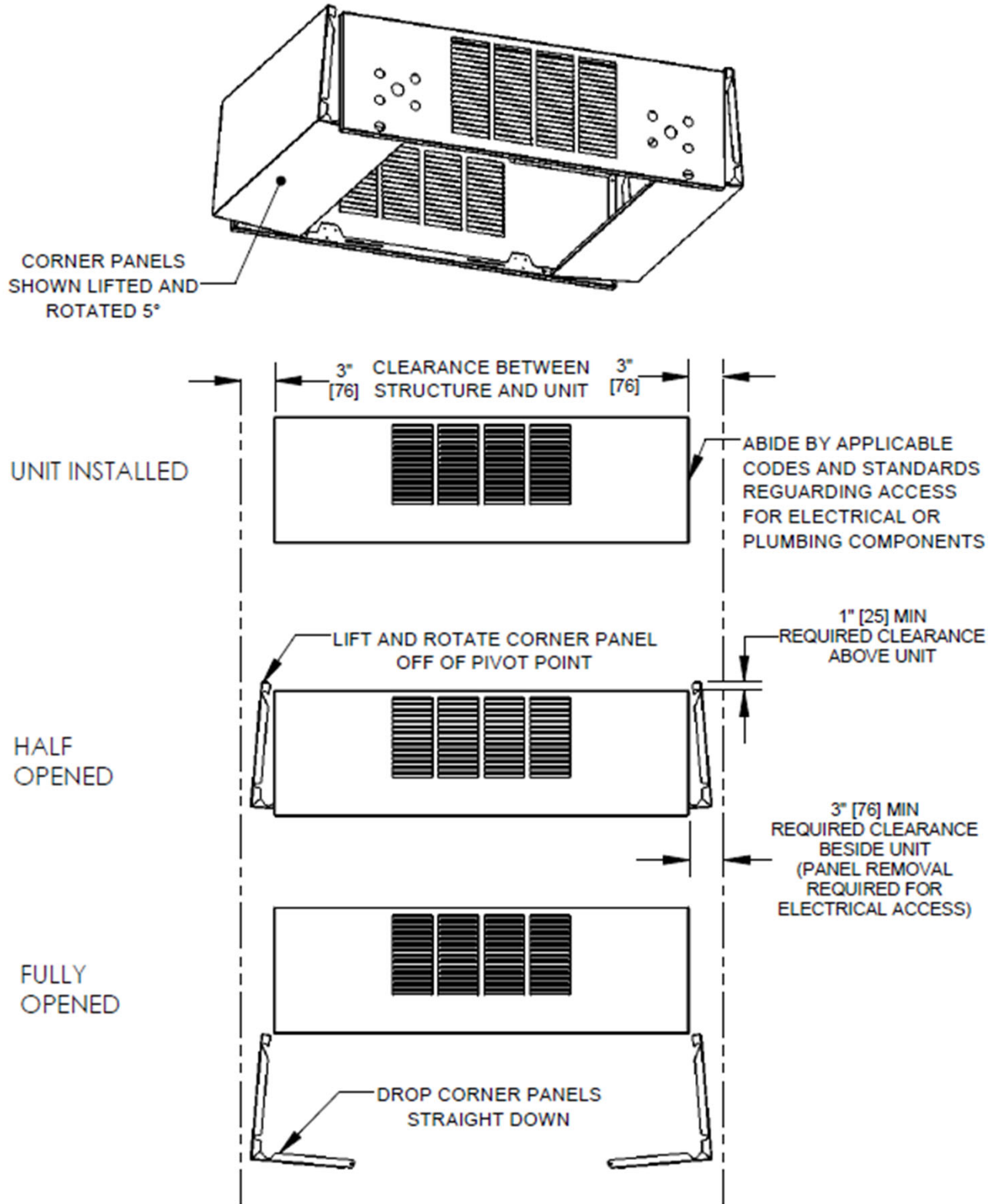
HEIGHT RESTRICTED APPLICATION



RBHC Series A

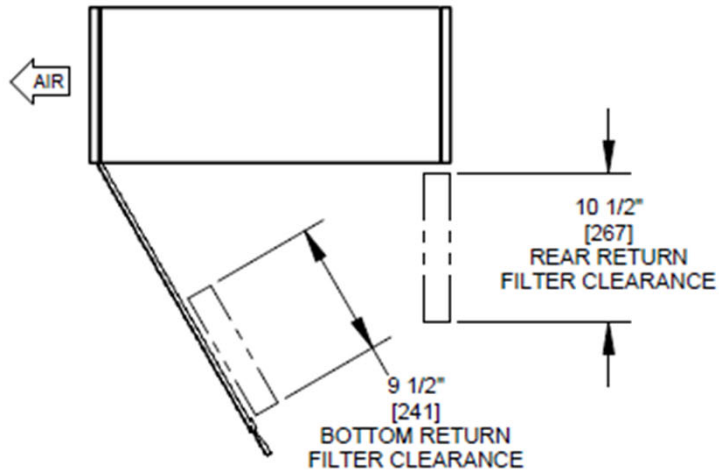
Horizontal Low Profile Exposed (Service Envelope)

WIDTH RESTRICTED APPLICATION

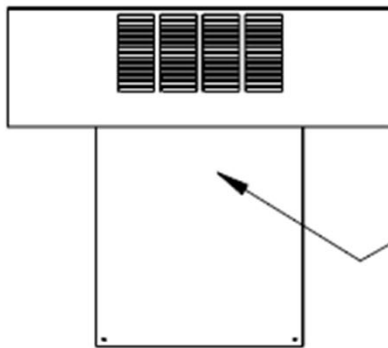


RBHC Series A

Horizontal Low Profile Exposed (Service Envelope)



RIGHT VIEW
FILTER ACCESS DETAIL
TRAP DOOR OPENED



FRONT VIEW
ACCESS SEQUENCE
DETAIL 1

TRAP DOOR RETAINED BY 1/4 TURN HARDWARE
SWINGS OPEN ON INTEGRATED HINGE-FLANGE
OPEN TRAP DOOR TO ACCESS:

- AIR FILTER
- BLOWER ACCESS PANEL
- ELECTRIC HEAT ACCESS PANEL
- CORNER PANEL MOUNTING HARDWARE



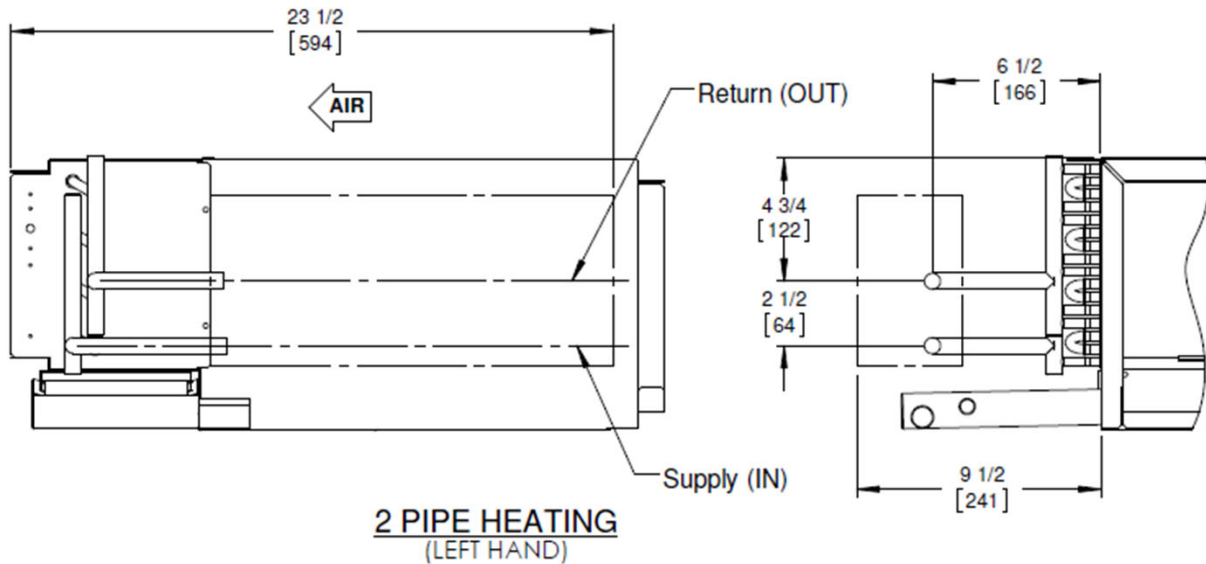
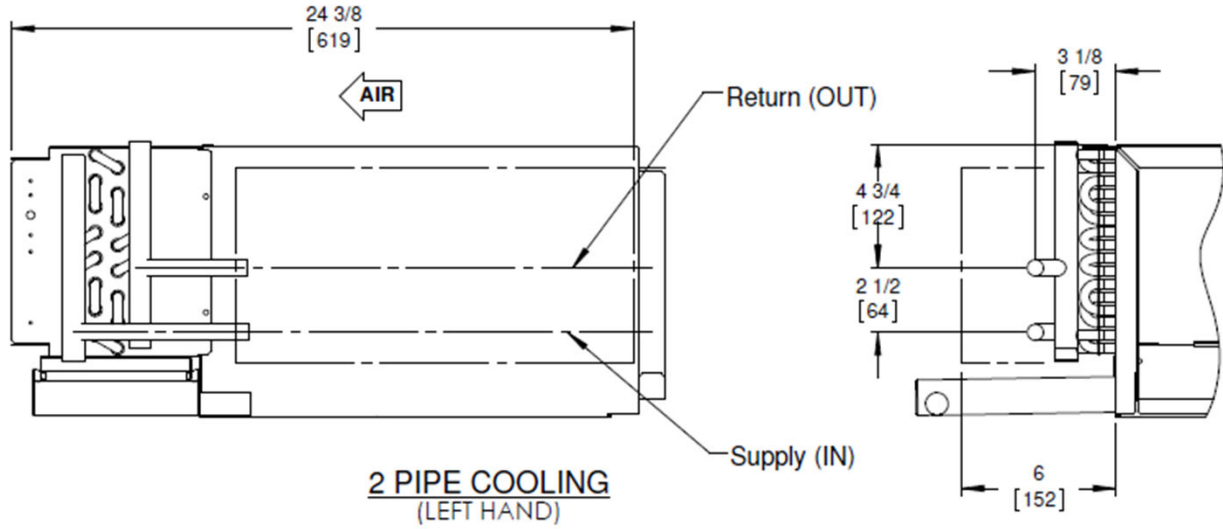
FRONT VIEW
ACCESS SEQUENCE
DETAIL 2

AFTER OPENING TRAP DOOR
CORNER PANELS MAY BE REMOVED
EACH CORNER PANEL RETAINED BY QTY (2)

- #10 HEX HEAD SCREWS
- OPEN CORNER PANELS TO ACCESS:
- ELECTRICAL ENCLOSURE
- VALVE PACKAGE

RBHR/RBHC Series A

Horizontal Low Profile Plenum/Exposed (Valve Package Connection Locations)

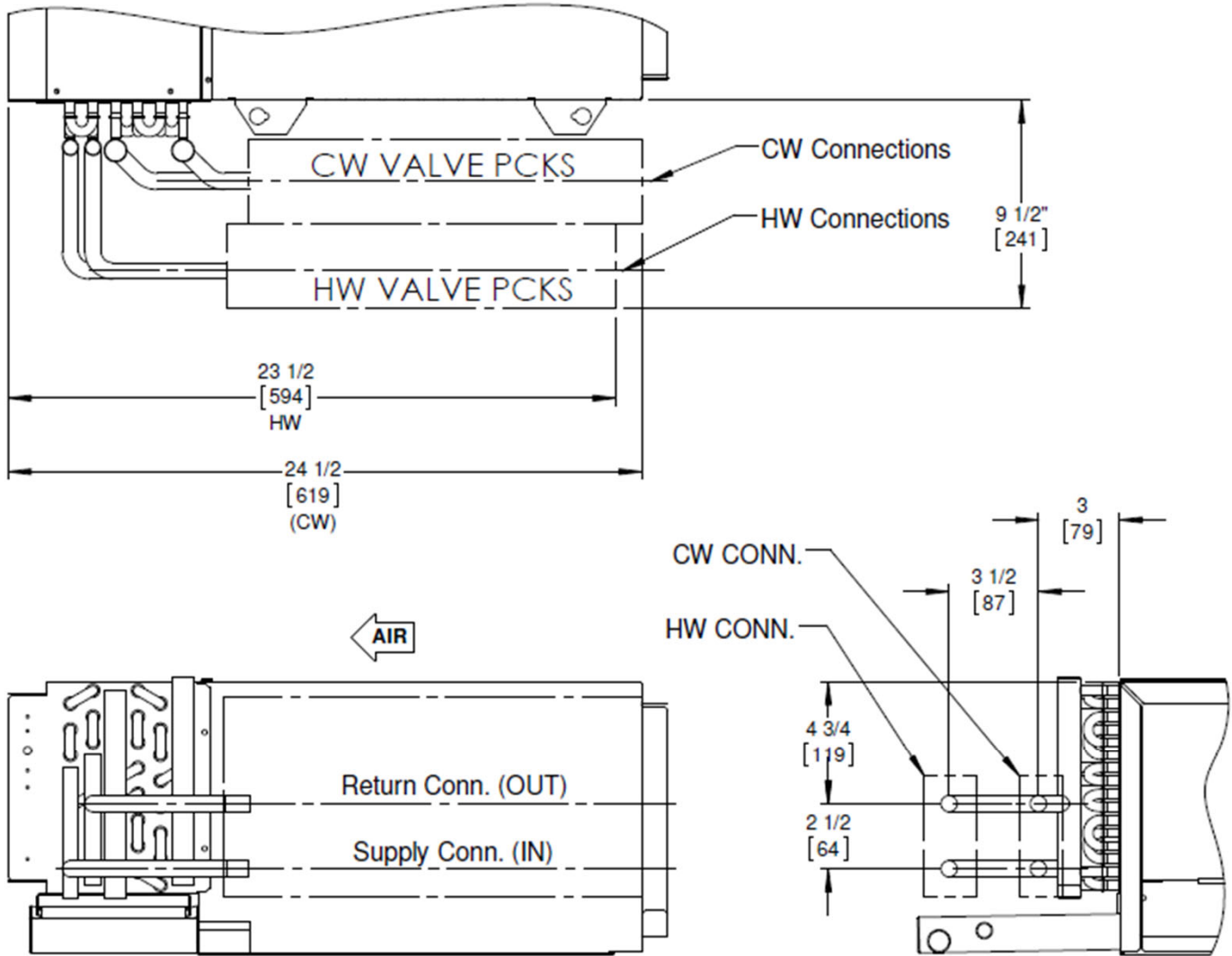


NOTES:

1. All dimensions are inches [millimeters] All dimensions +/- 1/2 [13mm]. Metric values are soft conversion.
2. All drawings subject to change without notice.
3. Connection Size: Chilled Water: 5/8 ODM (1/2" NOM.) Hot Water: 5/8 ODM (1/2" NOM.)
4. See "Coil Connection Location" drawing for drain pan specifications.
5. Consult WebSelect selection summary for valve-package components and specifications.

RBHR/RBHC Series A

Horizontal Low Profile Plenum/Exposed (Valve Package Connection Locations)



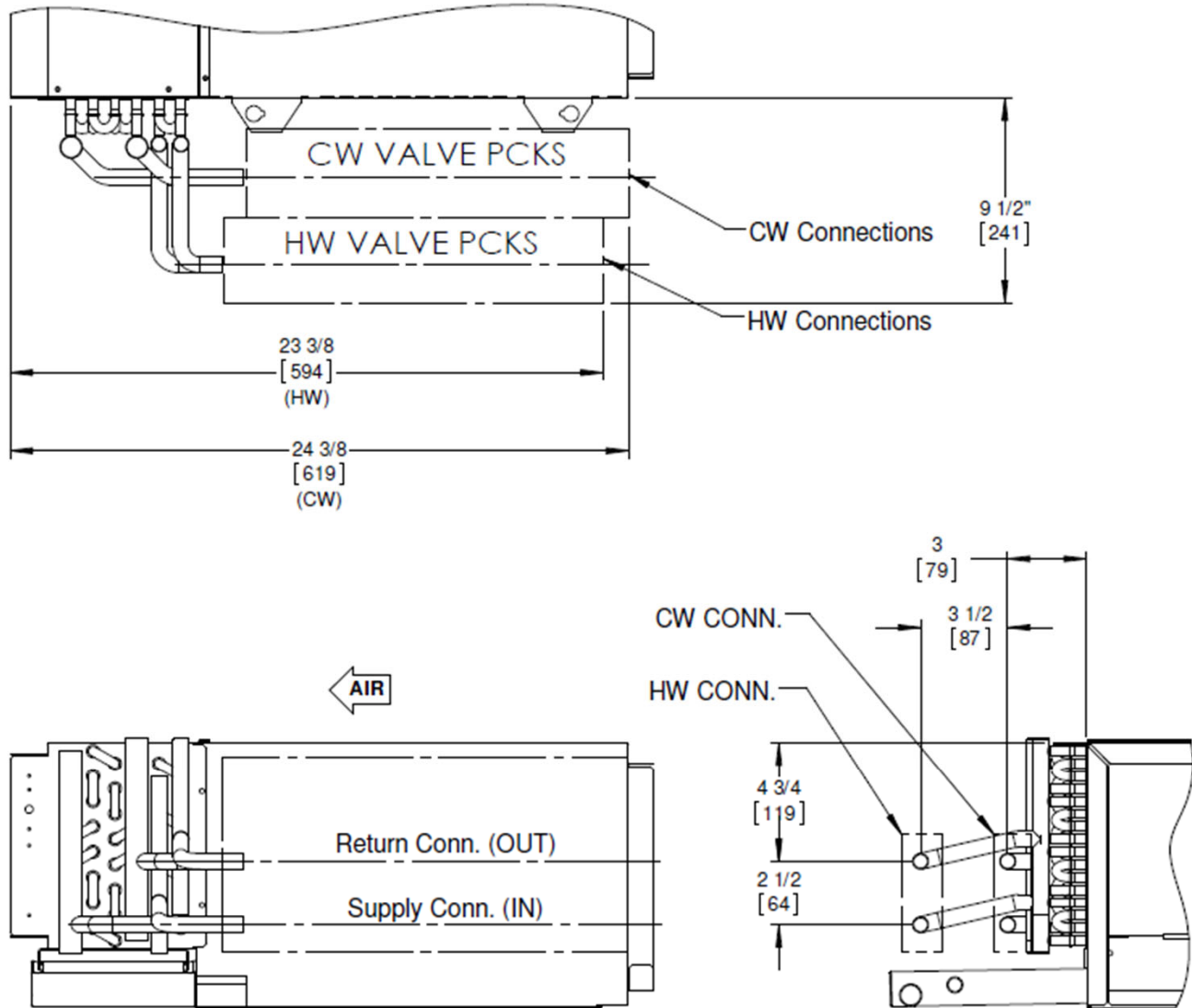
**4 PIPE RE-HEAT
(LEFT HAND)**

NOTES:

1. All dimensions are inches [millimeters] All dimensions +/- 1/2 [13mm]. Metric values are soft conversion.
2. All drawings subject to change without notice.
3. Connection Size: Chilled Water: 5/8 ODM (1/2" NOM.) Hot Water: 5/8 ODM (1/2" NOM.)
4. See "Coil Connection Location" drawing for drain pan specifications.
5. Consult WebSelect selection summary for valve-package components and specifications.

RBHR/RBHC Series A

Horizontal Low Profile Plenum/Exposed (Valve Package Connection Locations)



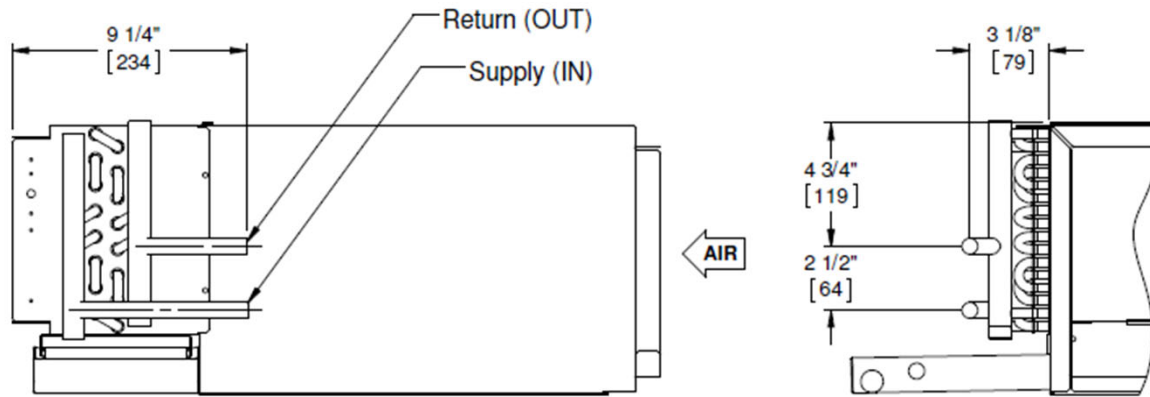
**4 PIPE PRE-HEAT
(LEFT HAND)**

NOTES:

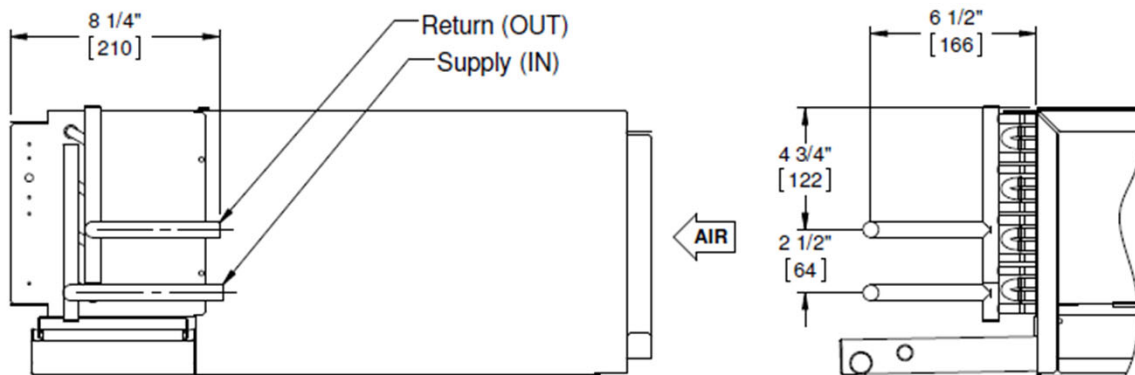
1. All dimensions are inches [millimeters] All dimensions +/- 1/2 [13mm]. Metric values are soft conversion.
2. All drawings subject to change without notice.
3. Connection Size: Chilled Water: 5/8 ODM (1/2" NOM.) Hot Water: 5/8 ODM (1/2" NOM.)
4. See "Coil Connection Location" drawing for drain pan specifications.
5. Consult WebSelect selection summary for valve-package components and specifications.

RBHO/RBHR/RBHC Series A

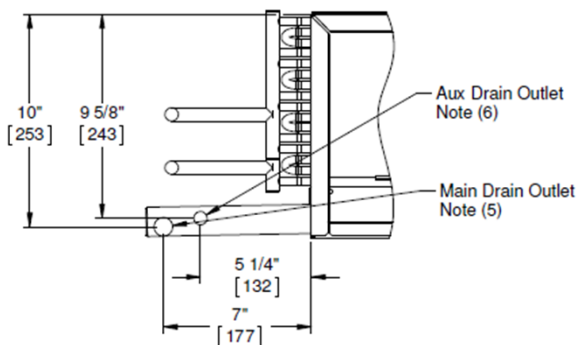
Horizontal Low Profile Concealed/Plenum/Exposed (Water Coil Connection Locations)



2 PIPE COOLING
FOR VALVE PACKAGES
(LEFT HAND)



2 PIPE HEATING
FOR VALVE PACKAGES
(LEFT HAND)



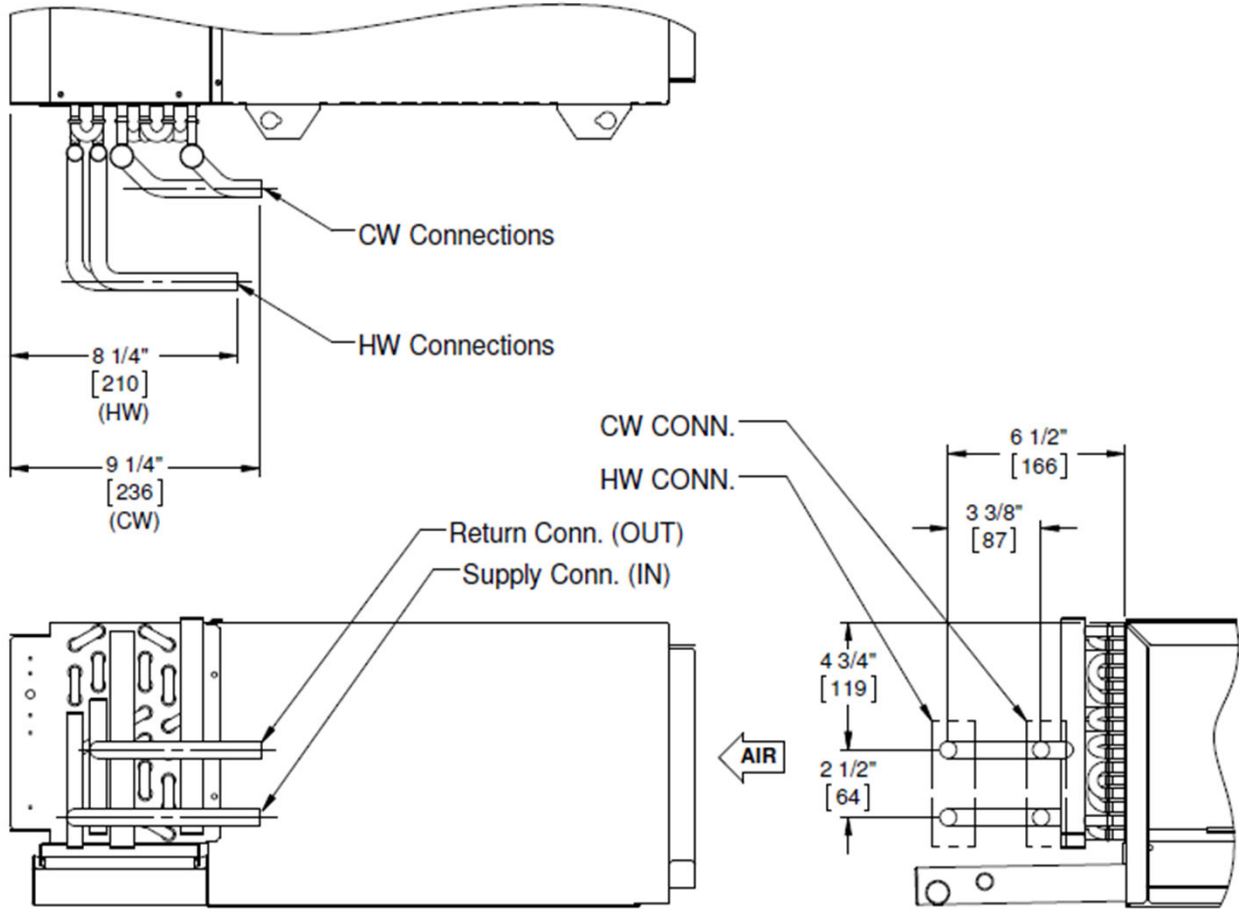
DRAIN LOCATIONS

NOTES:

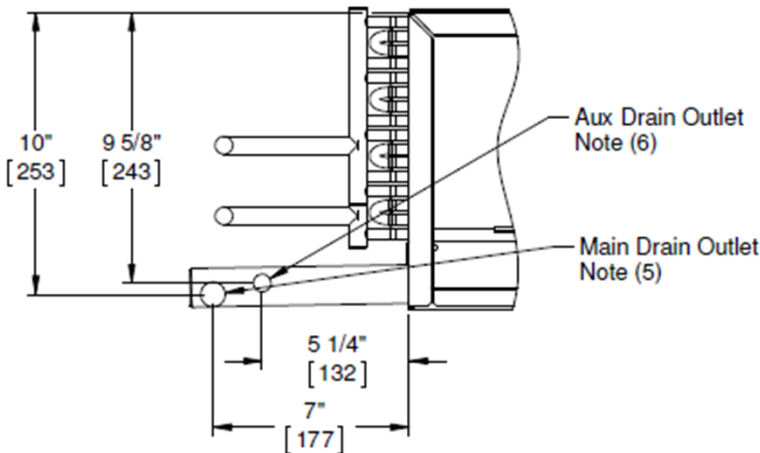
1. All dimensions are inches [millimeters] All dimensions 1/2 [13mm]. Metric values are soft conversion.
2. All drawings subject to change without notice.
3. Model RBHR unit shown, typical for model RBHO units. Connections shown are internal on RBHC units.
4. Connection Size: Chilled Water: 5/8 ODM (1/2" NOM.) Hot Water: 5/8 ODM (1/2" NOM.)
5. Standard externally foam coated galvanized steel drain pan has 7/8" ODM copper outlet. Stainless steel drain pan has 3/4" MPT galvanized steel outlet.
6. Aux. drain outlet is 5/8" ODM copper or 3/8" MPT galvanized steel respectively. Aux. drain outlet is always closest to the unit when facing outlet end of drain pan, regardless of unit hand.

RBHO/RBHR/RBHC Series A

Horizontal Low Profile Concealed/Plenum/Exposed (Water Coil Connection Locations)



**4 PIPE RE-HEAT
FOR VALVE PACKAGES
(LEFT HAND)**



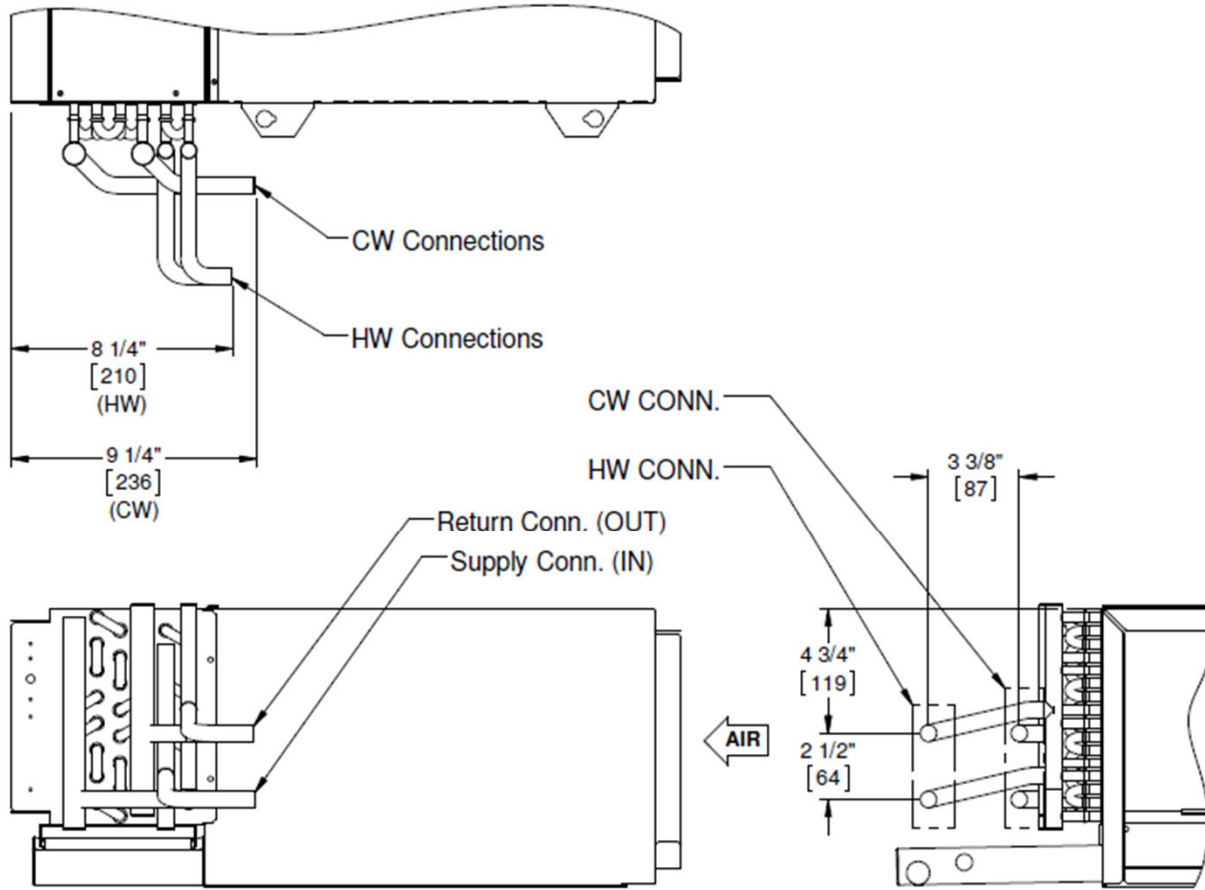
DRAIN LOCATIONS

NOTES:

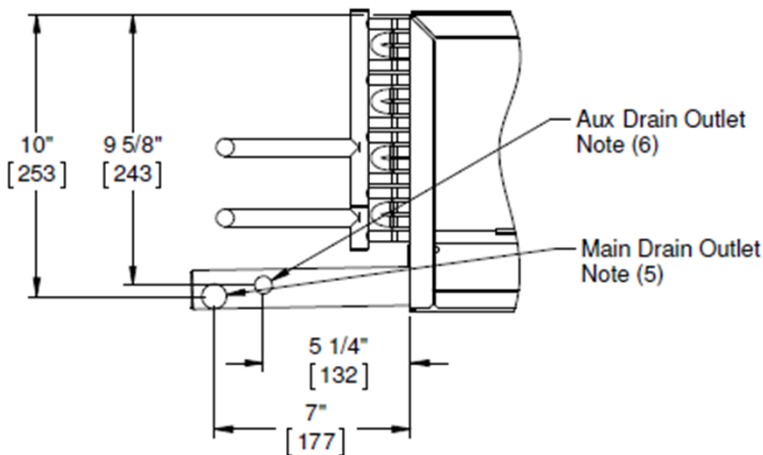
1. All dimensions are inches [millimeters] All dimensions 1/2 [13mm]. Metric values are soft conversion.
2. All drawings subject to change without notice.
3. Model RBHR unit shown, typical for model RBHO units. Connections shown are internal on RBHC units.
4. Connection Size: Chilled Water: 5/8 ODM (1/2" NOM.) Hot Water: 5/8 ODM (1/2" NOM.)
5. Standard externally foam coated galvanized steel drain pan has 7/8" ODM copper outlet. Stainless steel drain pan has 3/4" MPT galvanized steel outlet.
6. Aux. drain outlet is 5/8" ODM copper or 3/8" MPT galvanized steel respectively. Aux. drain outlet is always closest to the unit when facing outlet end of drain pan, regardless of unit hand.

RBHO/RBHR/RBHC Series A

Horizontal Low Profile Concealed/Plenum/Exposed (Water Coil Connection Locations)



**4 PIPE PRE-HEAT
FOR VALVE PACKAGES
(LEFT HAND)**



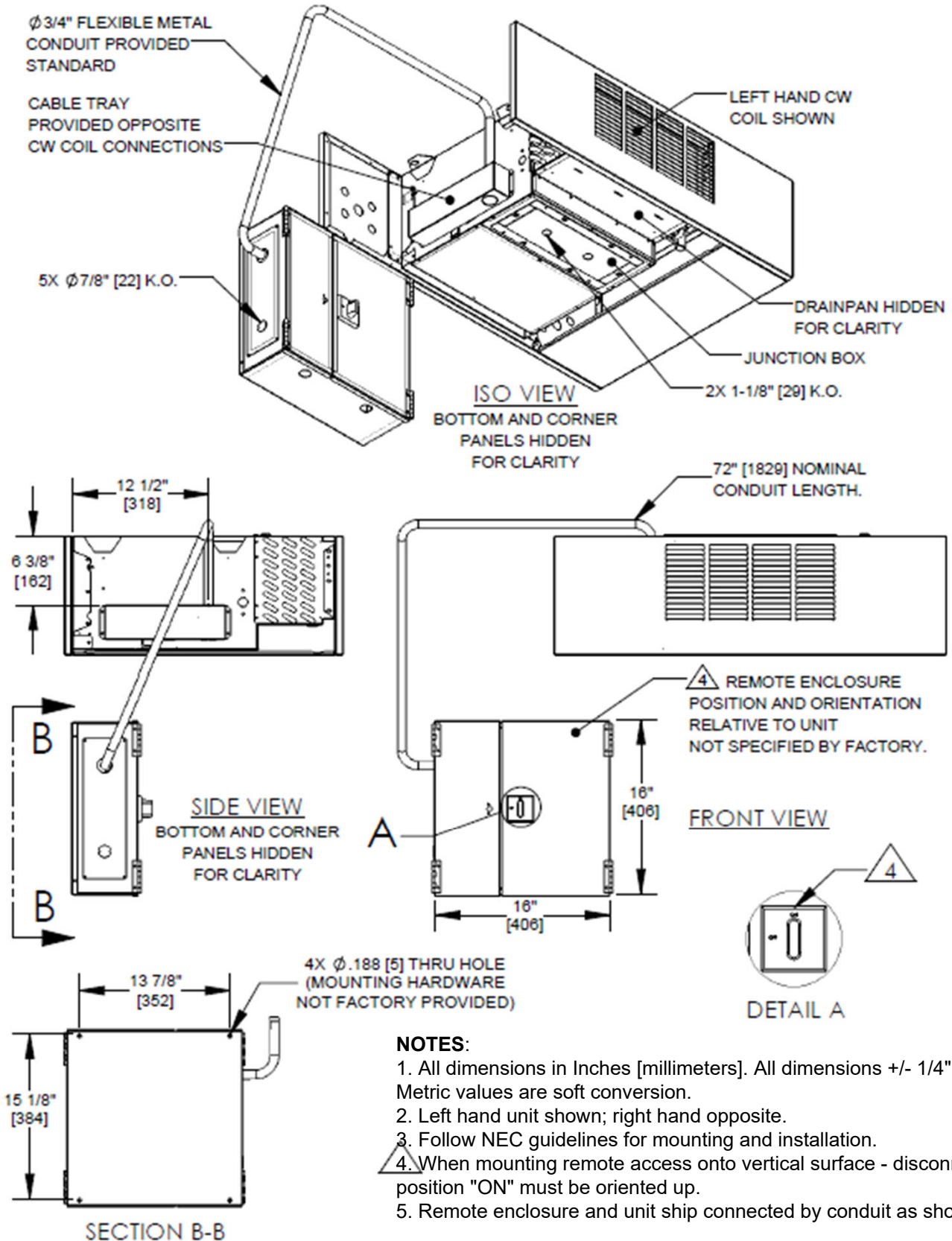
DRAIN LOCATIONS

NOTES:

1. All dimensions are inches [millimeters] All dimensions 1/2 [13mm]. Metric values are soft conversion.
2. All drawings subject to change without notice.
3. Model RBHR unit shown, typical for model RBHO units. Connections shown are internal on RBHC units.
4. Connection Size: Chilled Water: 5/8 ODM (1/2" NOM.) Hot Water: 5/8 ODM (1/2" NOM.)
5. Standard externally foam coated galvanized steel drain pan has 7/8" ODM copper outlet. Stainless steel drain pan has 3/4" MPT galvanized steel outlet.
6. Aux. drain outlet is 5/8" ODM copper or 3/8" MPT galvanized steel respectively. Aux. drain outlet is always closest to the unit when facing outlet end of drain pan, regardless of unit hand.

RBHC Series A

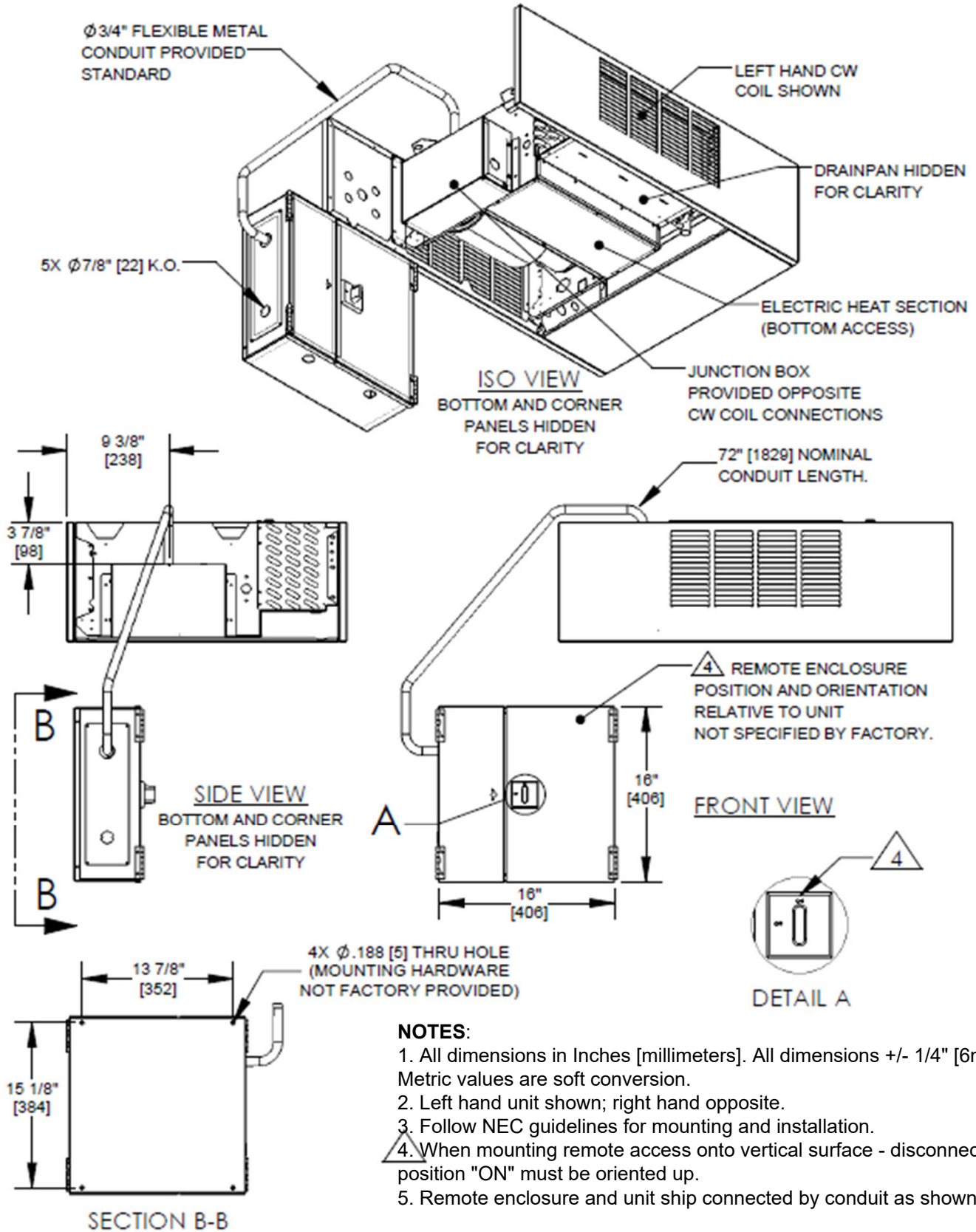
Horizontal Low Profile Exposed (Remote Electrical Enclosure 16x16 W/O Electric Heat)



- NOTES:**
1. All dimensions in Inches [millimeters]. All dimensions +/- 1/4" [6mm]. Metric values are soft conversion.
 2. Left hand unit shown; right hand opposite.
 3. Follow NEC guidelines for mounting and installation.
 4. When mounting remote access onto vertical surface - disconnect position "ON" must be oriented up.
 5. Remote enclosure and unit ship connected by conduit as shown.

RBHC Series A

Horizontal Low Profile Exposed (Remote Electrical Enclosure 16x16 W/ Electric Heat)

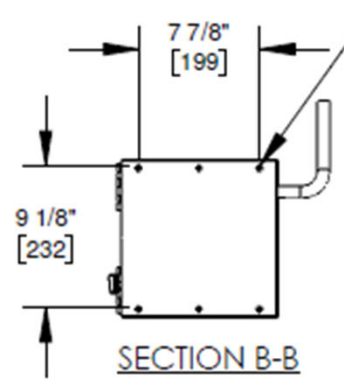
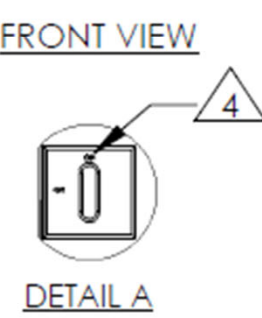
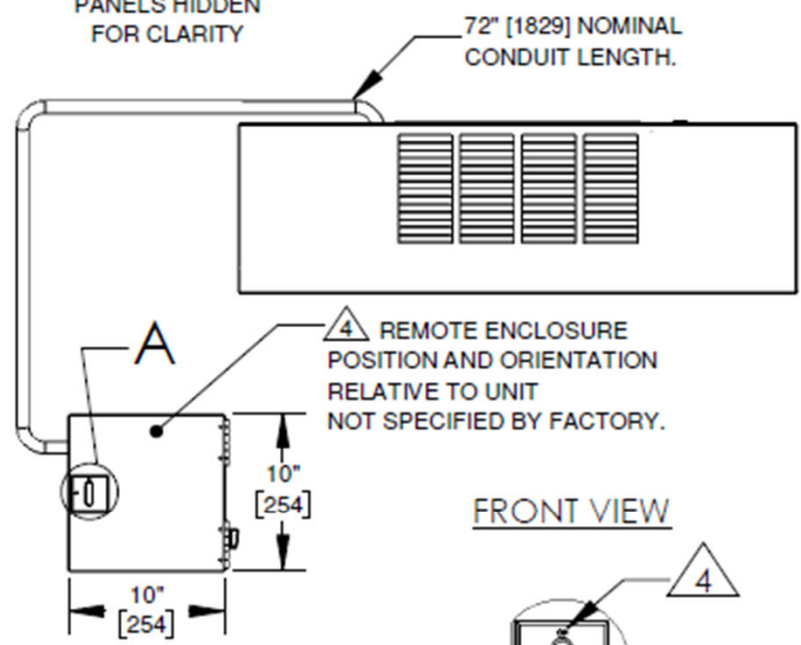
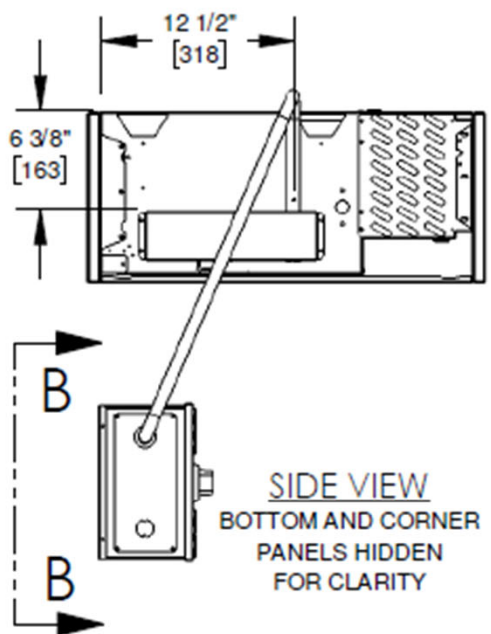
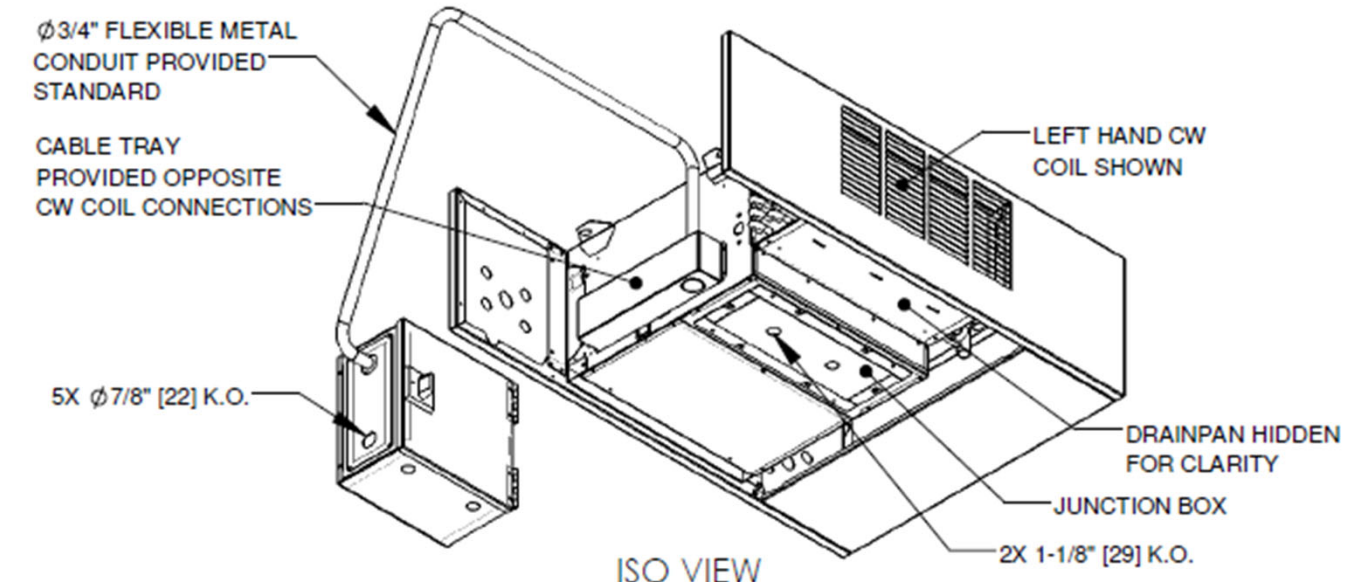


NOTES:

1. All dimensions in Inches [millimeters]. All dimensions +/- 1/4" [6mm]. Metric values are soft conversion.
2. Left hand unit shown; right hand opposite.
3. Follow NEC guidelines for mounting and installation.
4. When mounting remote access onto vertical surface - disconnect position "ON" must be oriented up.
5. Remote enclosure and unit ship connected by conduit as shown.

RBHC Series A

Horizontal Low Profile Exposed (Remote Electrical Enclosure 10x10 W/O Electric Heat)

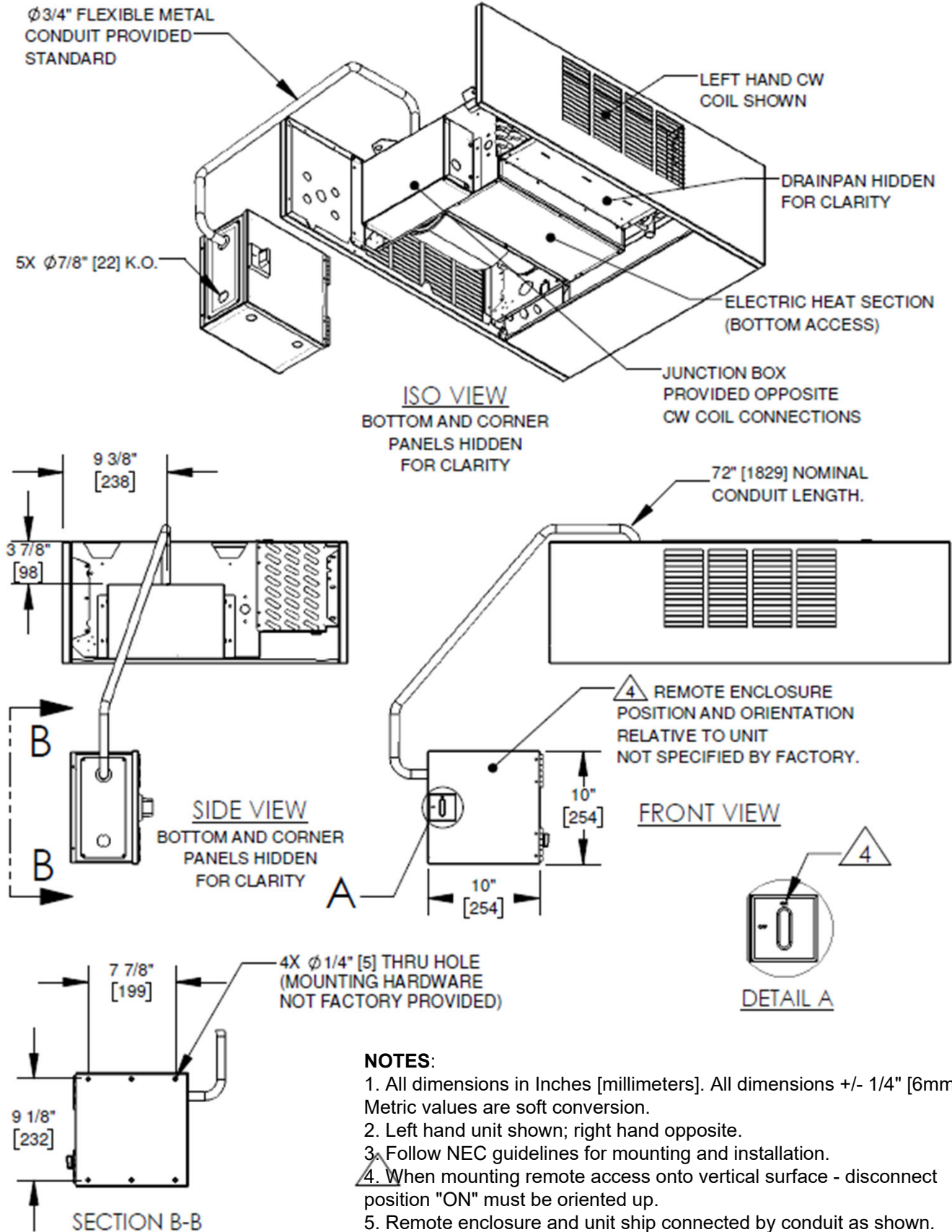


4X $\phi 1/4"$ [5] THRU HOLE (MOUNTING HARDWARE NOT FACTORY PROVIDED)

- NOTES:**
1. All dimensions in Inches [millimeters]. All dimensions +/- 1/4" [6mm]. Metric values are soft conversion.
 2. Left hand unit shown; right hand opposite.
 3. Follow NEC guidelines for mounting and installation.
 4. When mounting remote access onto vertical surface - disconnect position "ON" must be oriented up.
 5. Remote enclosure and unit ship connected by conduit as shown.

RBHC Series A

Horizontal Low Profile Exposed (Remote Electrical Enclosure 10x10 W/ Electric Heat)



NOTES:

1. All dimensions in Inches [millimeters]. All dimensions +/- 1/4" [6mm]. Metric values are soft conversion.
2. Left hand unit shown; right hand opposite.
3. Follow NEC guidelines for mounting and installation.
4. When mounting remote access onto vertical surface - disconnect position "ON" must be oriented up.
5. Remote enclosure and unit ship connected by conduit as shown.

RBHC Series A

Revision History

Revision Date	Version Date	Initiated By	Description
initial Release	11/16/20	J.Letterman	Initial release of series A units